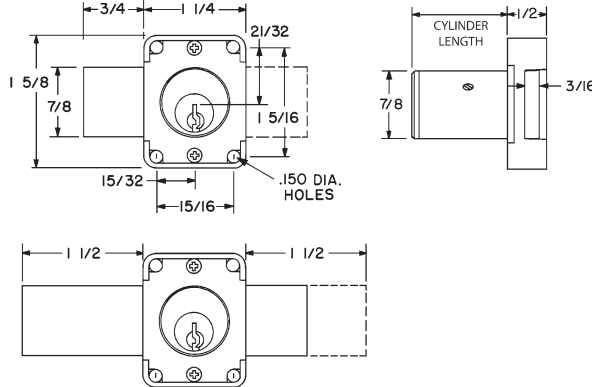


► 500DR | 500B | 500M Door Lock



ANSI/BHMA
A156.11 Grade 1
E07121
Woodwork Institute
(WI) acknowledged
product



LB: Long bolt option

SPECIFICATIONS

- Keying:** Can be keyed together with other R Series locks
- Rekeyable:** Easily rekeyable via set screw cylinder release mechanism
- ANSI/BHMA:** Passed ANSI/BHMA A156.11 Grade 1 performance requirements. Equivalent to E07121(500DR) / E07041(600DW).
- Standard function:** Key removable in locked or unlocked position. Standard function locks are non-handed.
- Key-retaining:** Key removable in locked position only. Specify handing (KL/KR for doors or KI/KV for drawers) when ordering.
- US Patent Nos:** 4,899,563; 4,920,774
- Body:** Zinc die cast
- Cylinder:** Solid brass, pin tumbler
- Cylinder length:** 15/16" or 1-3/8"
- Barrel diameter:** 7/8"
- Finish:** 26D, US4 or 10B
- Packaged:** Packed 10 per box

KEYING INFORMATION

- Keyway:** R Series (equivalent to CCL R1 system)
- Keys:** Includes 2 keys per lock
- Stock keying:** KD/KA - 5 pin standard
- Stock KA#:** 4T21579, 4T37526
- Masterkeyed:** 5 pin standard, 6 pin available
- Grand masterkeyed:** Available
- Keyblank 5-pin:** KBR-5-NP (equivalent to C0106, 1003A)
- Keyblank 5-pin copper plated:** KBR-5B (use with M Series MRI locks)
- Keyblank 6-pin:** KBR-6-NP (equivalent to L1003A)

INCLUDED ACCESSORIES

- 500DR/500B:** 2 keys, 56-1 bar strike, and lock mounting screws
- 500M:** 2 keys, 56-1 bar strike, and lock mounting screws (keys, components and materials are non-ferrous/non-magnetic)

OPTIONAL ACCESSORIES

- See the accessories section of this catalog for a complete list.
- Spacers:** WP20 (3/16" thick), WP21 (3/32" thick), WP22 (1/4" thick), WP23 (1/2" thick)
- Strikes:** 07S, 12-1, 12-2, 12-3, 12-4, 56-1 strikes
- Trim ring:** TR1256
- Through-bolt hardware:** ETS2 trim plate, ETS2-PL trim pull and ETST2 template
- Long bolt (bolt only):** 15-1-35 for use with 500DR/500B/500M locks

500DR

Function: Standard function lock
Includes: 2 keys, 56-1 bar strike, and lock mounting screws

500B - Weather Resistant

Function: Weather resistant construction. Suitable for outdoor use in covered areas only.
Includes: 2 keys, 56-1 bar strike, and lock mounting screws

500M - MRI Function

Function: MRI locks are made of all non-magnetic materials and components specifically for use in MRI medical applications.
Includes: 2 keys, 56-1 bar strike, and lock mounting screws (keys, components and materials are non-ferrous/non-magnetic)

500DR

Item	Function	Finish	Cyl. Length	Keying
500DR	Door	26D, US4, 10B	15/16"	KD, KA 4T21579, 4T37526 Custom Keyed
500DR	Door	26D, US4	1-3/8"	
Key-retaining:		Specify item 500KL for left-hand doors and 500KR for right-hand doors. (KL and KR designation are <i>only required</i> for key retaining locks).		
Long bolt:		Specify LB for long bolt installed in lock.		

500B - B Series (Weather Resistant)

Item	Function	Finish	Cyl. Length	Keying
500B	Door	26D, US4, 10B	15/16"	KD, KA 4T21579, 4T37526 Custom Keyed
500B	Door	26D, US4	1-3/8"	
Key-retaining:		Specify item 500BKL for left-hand doors and 500BKR for right-hand doors. (BKL and BKR designation are <i>only required</i> for key retaining B Series locks).		
Long bolt:		Specify LB for long bolt installed in lock.		

500M - MRI Function (Non-Magnetic)

Item	Function	Finish	Cyl. Length	Keying
500M	Door	26D	15/16" or 1-3/8"	KD, KA 4T21579, 4T37526 Custom Keyed
Key-retaining (MRI):		Specify item 500MKL for left-hand doors and 500MKR for right-hand doors. (MKL and MKR designation are <i>only required</i> for key retaining MRI locks).		
Long bolt:		Specify LB for long bolt installed in lock.		

