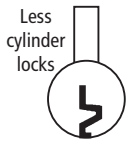


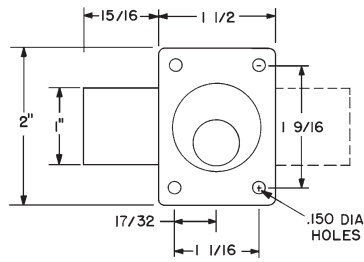
Standard Cylinder

Schlage C Keyway or Less Cylinder

► 700LC Door Lock



For SCHLAGE style original or replacement cylinders

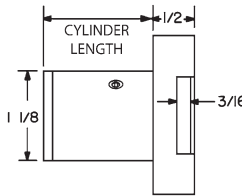


ANSI/BHMA A156.11 Grade 1 E07121

Woodwork Institute (WI) acknowledged product

Item	Finish	Cyl. Length	Keying
700LCA	26D, US3, 10B	1-1/8"	Less Cylinder
700LCM	26D, US3, 10B	1-3/8"	

Note: 700LCM 1-3/8" barrel length locks are required for use with Medeco or Assa cylinders.



SPECIFICATIONS

Rekeyable: Easily rekeyable via set screw cylinder release mechanism
ANSI/BHMA: Passed ANSI/BHMA A156.11 Grade 1 performance requirements. Equivalent to E07121 (700LC) / E07041 (800LC).
US Patent Nos: 4,899,563; 4,920,774
Body: Zinc die cast
Cylinder: Will accept other manufacturer's Schlage compatible key-in-knob cylinders
Cylinder length: 1-1/8" or 1-3/8"
Barrel diameter: 1-1/8"
Finish: 26D, US3, 10B
Packaged: Packed 10 per box

INCLUDED ACCESSORIES

For 1-1/8" barrel length locks:
 10-350 plastic spacers (qty 2)
 10-054 1/4" plastic bar strike
 10-055 1/2" plastic bar strike
 10-361 tailpiece/driver bar
 10-360 universal driver, and 1 tailpiece for use with Schlage compatible cylinders
For 1-3/8" barrel length locks:
 10-054 1/4" plastic bar strike
 10-360 universal driver, and 3 tailpieces for use with Schlage (10-362) compatible, Medeco (10-363) or Assa (10-364) cylinders

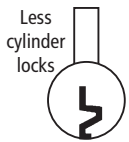
CYLINDER INFORMATION

Cylinder: Not included
Includes: All parts necessary to work with other manufacturers cylinders
ILCO cylinder: #1599 (various keyways available)
Assa cylinder: Requires LCM (1-3/8") locks Assa p/n: #65611
Medeco cylinders: Requires LCM (1-3/8") locks
 Original: 6 pin #20-00954
 5 pin #20-00854
 Biaxial: 6 pin #20W00954
 5 pin #20W00854
 Keymark: 6 pin #20K00954
 Key retaining cylinder: #20W20051
Compatible electronic cylinders: Medeco LOGIC, ASSA CLIQ or VIDEX CyberLock key-in-knob cylinders

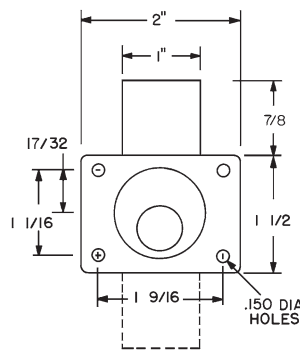
OPTIONAL ACCESSORIES

See the accessories section of this catalog for a complete list.
Spacers: 10-350 (1/8" thick), 10-348 (1/4" thick), 10-349 (1/2" thick)
Strikes: 10-052, 10-056, 10-057, 10-058, 12-2, 12-3, 12-4
Driver Bars (tailpiece): For 1 1/8" barrel length locks: 10-361, 10-361-KR (key-retaining). For 1 3/8" barrel length locks: 10-362, 10-362-KR (key-retaining). Driver bar for Medeco: 10-363 Driver bar for Assa: 10-364
Trim ring: TR78
Through-bolt hardware: ETS1 trim plate, ETS1-PL trim pull and ETST1 template
Cylinder: 78-201 Series (page 61)
Other: 78-KABA-CONV conversion kit for KABA-Peaks or Mul-T-Lock cylinders

► 800LC Drawer Lock



For SCHLAGE style original or replacement cylinders

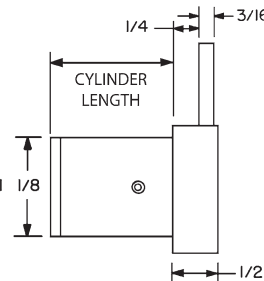


ANSI/BHMA A156.11 Grade 1 E07041

Woodwork Institute (WI) acknowledged product

Item	Finish	Cyl. Length	Keying
800LCA	26D, US3, 10B	1-1/8"	Less Cylinder
800LCM	26D, US3, 10B	1-3/8"	

Note: 800LCM 1-3/8" barrel length locks are required for use with Medeco or Assa cylinders.

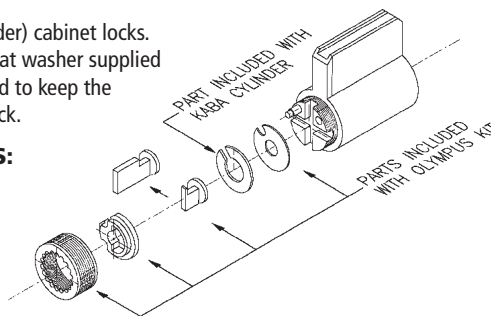


► 78-KABA-CONV Kaba Conversion Kit

For use with Olympus 700LC and 800LC (less cylinder) cabinet locks. The conversion kit requires the use of the C-form flat washer supplied with the KABA-Peaks cylinder. The washer is needed to keep the Olympus tailpiece on center while operating the lock.

USE WITH THE FOLLOWING CYLINDERS:

KABA-Peaks universal cylinder #3400-XX-1099 (where "XX" denotes finish)
 Mul-T-Lock cylinders



Tel: 206.362.3290 | 800.525.0954
 Fax 206.362.3569 | www.olympuslock.com



The following warning is applicable to all parts listed on this page:
WARNING: This product can expose you to chemicals including chromium, which is known to the State of California to cause cancer and birth defects or other reproductive harm. for more information go to www.P65Warnings.ca.gov.