

## ► 777 Door Lock

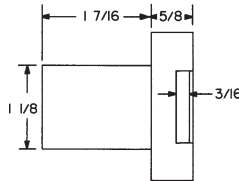
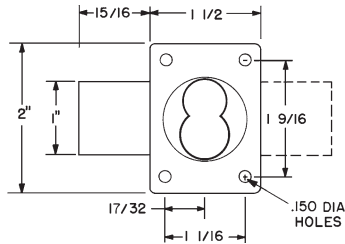


For SCHLAGE full-size interchangeable core cylinders

ANSI/BHMA A156.11 Grade 1 E07121



Woodwork Institute (WI) acknowledged product



### KEY REMOVABLE LOCKED OR UNLOCKED POSITION

Item	Function	Finish	Core	Description
777ICP-DR	Door	26D, US3, 10B	Standard/Classic or Primus/Everest	Lock body - For Schlage full-size IC

### KEY RETAINING (KEY REMOVABLE LOCKED POSITION ONLY)

Item	Function	Finish	Core	Description
777IC-DRK	Door-KR	26D, US3, 10B	Standard/Classic	Lock body - For Schlage full-size IC
777P-DRK	Door-KR	26D, US3, 10B	Primus/Everest	

Key-retaining (KR): Cycle to "locked" position before inserting core.

## SPECIFICATIONS

ANSI/BHMA: Passed ANSI/BHMA A156.11 Grade 1 performance requirements. Equivalent to E07121 (777ICP) / E07041 (888ICP)

**Standard function:** Key removable in locked and unlocked position.

**Key-retaining function:** Specify core type (Standard/Classic or Primus/Everest) when ordering

**Body:** Zinc die cast

**Cylinder length:** 1-7/16"

**Barrel diameter:** 1-1/8"

**Finish:** 26D, US3 or 10B

**Packaged:** Packed 10 per box

## CYLINDER INFORMATION

**Cylinder:** Not included

**Accepts:** Schlage large format/full-size IC cylinders

- Schlage Quad, Numbered Section, and Schlage Classic IC cores

- Schlage Primus® and Everest large format IC cores

- Mul-T-Lock large format IC cores

**Compatible electronic cylinders:** VIDEX CyberLock LFIC cylinders

## INCLUDED ACCESSORIES

7788-PA-D actuator to operate lock without core

10-350 plastic spacers (qty 3)

10-054 1/4" plastic bar strike

10-055 1/2" plastic bar strike

## OPTIONAL ACCESSORIES

See the accessories section of this catalog for a complete list.

**Spacers:** 10-350 (1/8" thick), 10-348 (1/4" thick), 10-349 (1/2" thick)

**Strikes:** 10-052, 10-056, 10-057, 10-058, 12-2, 12-3, 12-4

**Trim ring:** TR78

**Through-bolt hardware:** ETS1 trim plate, ETS1-PL trim pull and ETST1 template

## ► 888 Drawer Lock

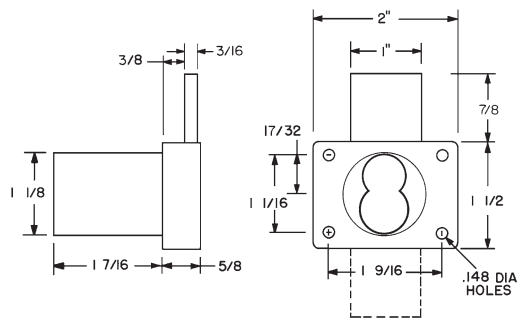


For SCHLAGE full-size interchangeable core cylinders

ANSI/BHMA A156.11 Grade 1 E07041



Woodwork Institute (WI) acknowledged product



### KEY REMOVABLE LOCKED OR UNLOCKED POSITION

Item	Function	Finish	Core	Description
888ICP-DW	Drawer	26D, US3, 10B	Standard/Classic or Primus/Everest	Lock body - For Schlage full-size IC

### KEY RETAINING (KEY REMOVABLE LOCKED POSITION ONLY)

Item	Function	Finish	Core	Description
888IC-DWK	Drawer-KR	26D, US3, 10B	Standard/Classic	Lock body - For Schlage full-size IC
888P-DWK	Drawer-KR	26D, US3, 10B	Primus/Everest	

Key-retaining (KR): Cycle to "locked" position before inserting core.

The following warning is applicable to all parts listed on this page:  
**WARNING:** This product can expose you to chemicals including chromium, which is known to the State of California to cause cancer and birth defects or other reproductive harm. for more information go to [www.P65Warnings.ca.gov](http://www.P65Warnings.ca.gov).

