

Standard Cylinder

Schlage C Keyway or Less Cylinder

► 820S Cam Lock



820S

Note: This lock does not accept Medeco cylinders.



820LC

Less cylinder locks

 For SCHLAGE style original or replacement cylinders

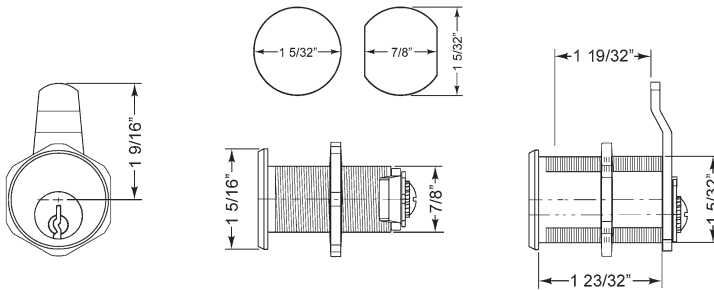


720-PL3
anti-rotation plate

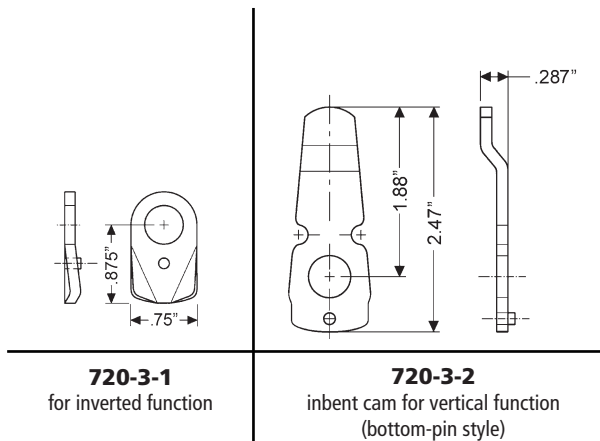
Woodwork Institute (WI) acknowledged product

Item	Finish	Cyl. Diameter	Mat. Thickness	Keying
820S	26D, US3	1-1/8"	Up to 1-3/8"	KD, KA 101, 102, 0-Bit Custom Keyed
820LC	26D, US3	1-1/8"	Up to 1-3/8"	Less Cylinder

MOUNTING CUTOUT



INCLUDED CAMS



SPECIFICATIONS

Rekeyable: Easily rekeyable via set screw on back of lock body

U.S. Patent No: 7,716,958 B2

Cylinder diameter: 1-1/8"

Across flats: 7/8"

Max. material thickness: 1-3/8"

Min. material thickness: 0.08"

Body: Zinc die cast

Functions: Includes parts for key-retaining or non-key-retaining

Finish: 26D or US3

Packaged: Packed 10 per box

820S KEYING INFORMATION

Keying: Can be keyed together with other Schlage C Keyway locks

Keyway: Schlage "C" Keyway

Keys: Includes 2 keys per lock

Cylinder: Solid brass, pin tumbler

Stock keying: KD/KA - 5 pin standard

Stock KA#: 101, 102, 0-Bit

Masterkeying: 6 pin standard

Grand masterkeying: Available

Keyblank 6-pin: KBSC-6

820LC CYLINDER INFORMATION

Cylinder: Not included

Accepts: Schlage compatible key-in-knob cylinders including ILCO cylinder #1599. This lock does not accept Medeco cylinders.

Includes: All parts necessary to work with other manufacturers' Schlage compatible cylinders.

Compatible electronic cylinders: ASSA CLIQ or VIDEX CyberLock key-in-knob cylinders.

INCLUDED ACCESSORIES

720-PL3 anti-rotation plate

720-3-1 short inverted cam

720-3-2 long vertical cam

720-CDLM lost motion cam shifter

720-CDDM key retaining door cam shifter

720-KR key retaining drawer cam shifter

OPTIONAL ACCESSORIES

See accessories on page 80-81. See page 81 for cam assembly instructions.

Optional cams: 720-3-3, 720-3-4, 720-3-5

Trim collars: TR200 Series

Cylinder: 78-201 Series (page 65)

Switch accessory pack: SW-1

CL-MP-118: Double-D metal punch (page 66)



The following warning is applicable to all parts listed on this page:
WARNING: This product can expose you to chemicals including chromium, which is known to the State of California to cause cancer and birth defects or other reproductive harm. for more information go to www.P65Warnings.ca.gov.

