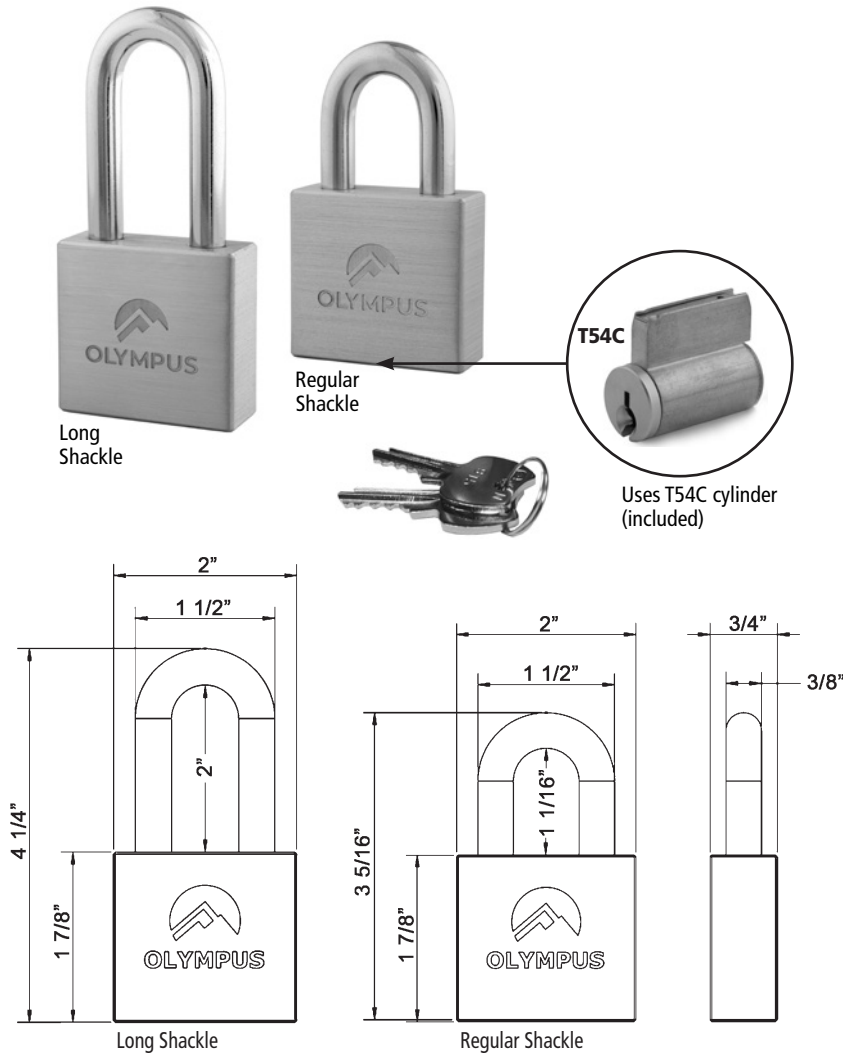


► N Series National Keyway Padlocks



SPECIFICATIONS

Body: Extruded brass
Locking: Ball bearing heel and toe
Body width: 2"
Body height: 1 7/8"
Shackle: Hardened molybdenum steel
Finish: BHMA 606 Satin Brass (US4)
Cylinder: Includes Olympus cylinder #T54C (see page 18 for details)

KEYING INFORMATION

Keyway: National D4291(4-pin) or D4292 (5-pin) keyway
Keys: Includes 2 keys per lock
Stock KD/KA: 4 pin standard
Stock KA#: 101, 103, 107, 915
Stock KA#: 51001 through 51004
Master keyed: 5 pin standard
Pin Kit: Use N1 Pin Kit for rekeying
Keyblanks: 4-pin use KBN-4-NP (equivalent to NA14, 1069L), 5-pin use KBN-5-NP (equivalent to NA12, 1069LA). See page 62 for cut keys and keyblanks.

REGULAR SHACKLE

Shackle opening: 1 1/16"
Shackle diameter: 3/8"
Packed: Each
Weight each: 0.85 lbs.

LONG SHACKLE

Shackle opening: 2"
Shackle diameter: 3/8"
Packed: Each
Weight each: 0.90 lbs.

Item	Width	Shackle	Pinning	Keyway
PN50	2"	1-1/16" Opening Regular Shackle	4 Pin 5 Pin	KD, KA 101,103,107,915,51001,51002,51003,51004 Stock master keyed or non stock KD, KA
PN50-LS	2"	2" Opening Long Shackle	4 Pin 5 Pin	KD, KA 101,103,107,915,51001,51002,51003,51004 Stock master keyed or non stock KD, KA

