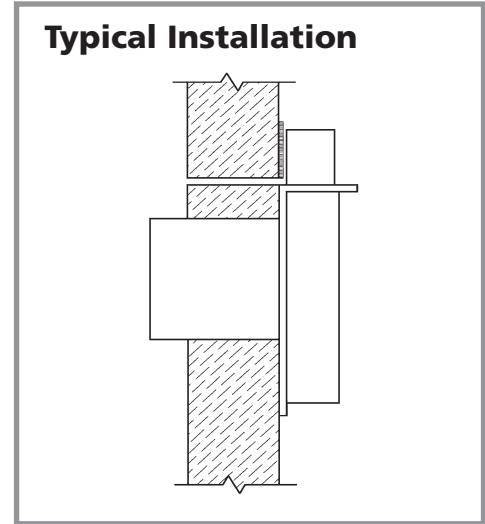
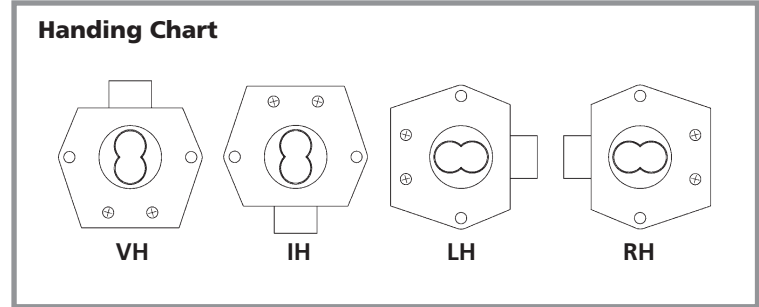


**NOTE:** Dimensions are the same for all handings

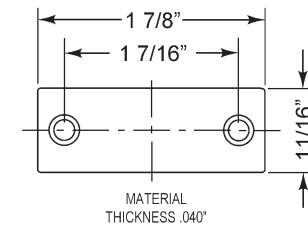
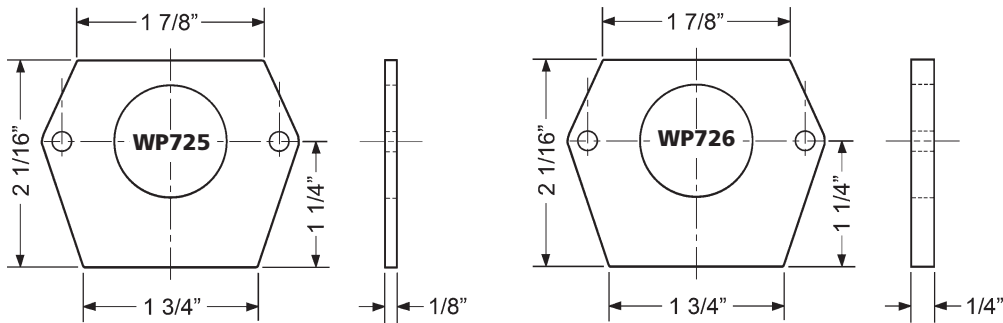


**Included Accessories:**

- 1 725-1 6-pin spacer
- 1 725-PA plastic thumbturn
- 1 725-SP-RD strike and screws (#5 x 5/8")
- 2 lock mounting screws (#8 x 5/8")



**Spacer options** Note: use of spacers and strikes depends on application and material thickness.



**included: 725-SP-RD  
solid rectangular strike**