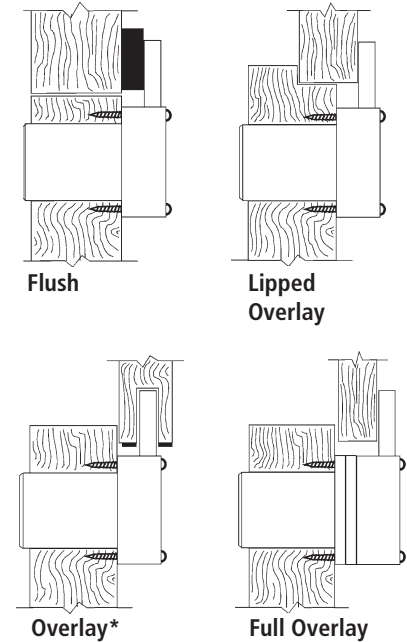


## Typical Installation



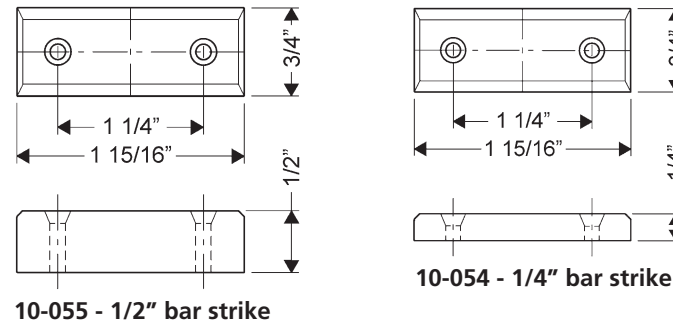
\*Overlay installation is not recommended for particleboard.

### Included Accessories (1-1/8 barrel length locks):

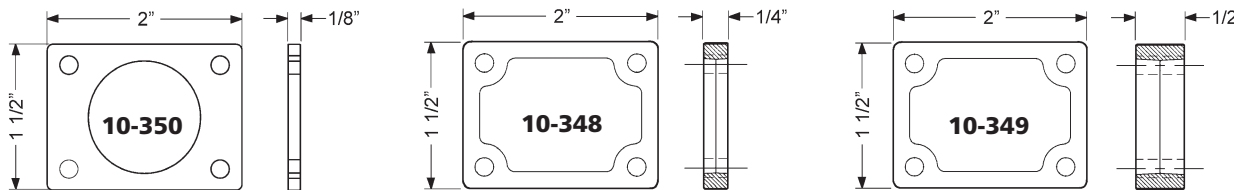
- 2 nickel plated keys
- 2 10-350 plastic spacers
- 1 10-054 1/4" plastic bar strike
- 1 10-055 1/2" plastic bar strike
- 4 lock mounting screws

### Included Accessories (1-3/8 barrel length locks):

- 2 nickel plated keys
- 1 10-054 1/4" plastic bar strike
- 4 lock mounting screws



**Spacer options** Note: use of spacers and strikes depends on application and material thickness.



## Installation/handling for key-retaining option

