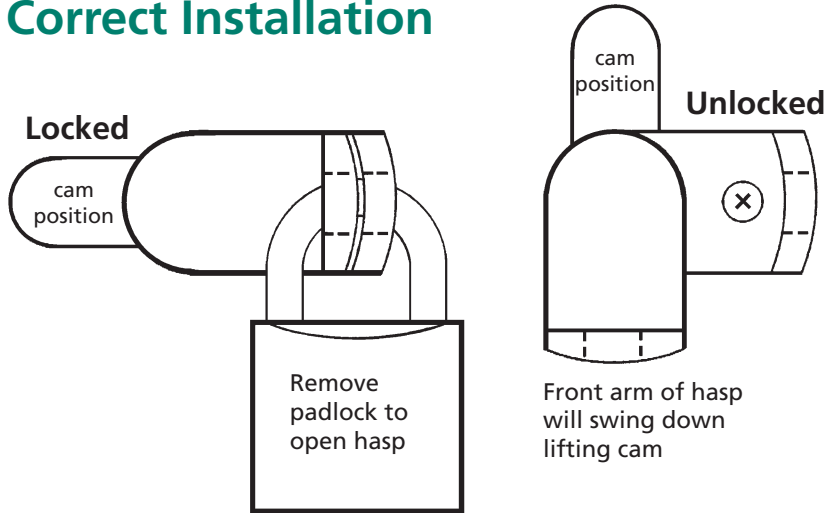


IMPORTANT: For proper installation, this lock should be mounted with the arms in the horizontal position as shown below under **Correct Installation**.

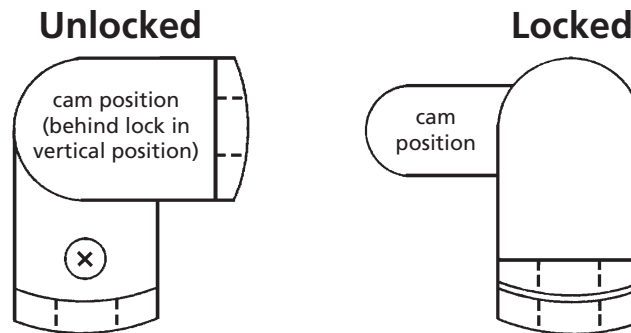
Correct Installation



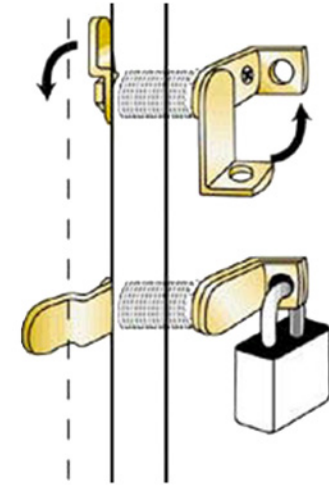
Gravity pulls front arm down which moves cam into the 12 o'clock position allowing the cabinet door to be opened or closed without moving the front arm position. After the door is closed, user moves front arm back to the horizontal position to re-lock with padlock.

Incorrect installation/Not Recommended

The user needs to lift the front arm up to move the cam out of the way so the door can be opened. Once the arm is released, gravity will allow the front arm to fall back into the down position allowing the cam to move back into the locked (9 o'clock) position. This sets up a scenario where users will "slam" the door on the protruding cam because they will not always remember to lift the front arm before closing the cabinet door. This will result in broken locks and cams.

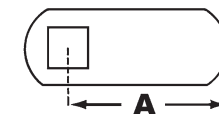
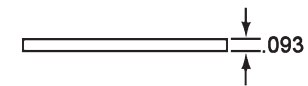


Typical installation



Included accessories:

- 1 DCP-LC 1-1/4" long straight cam
- 1 DCNP-SPW pronged wood washer

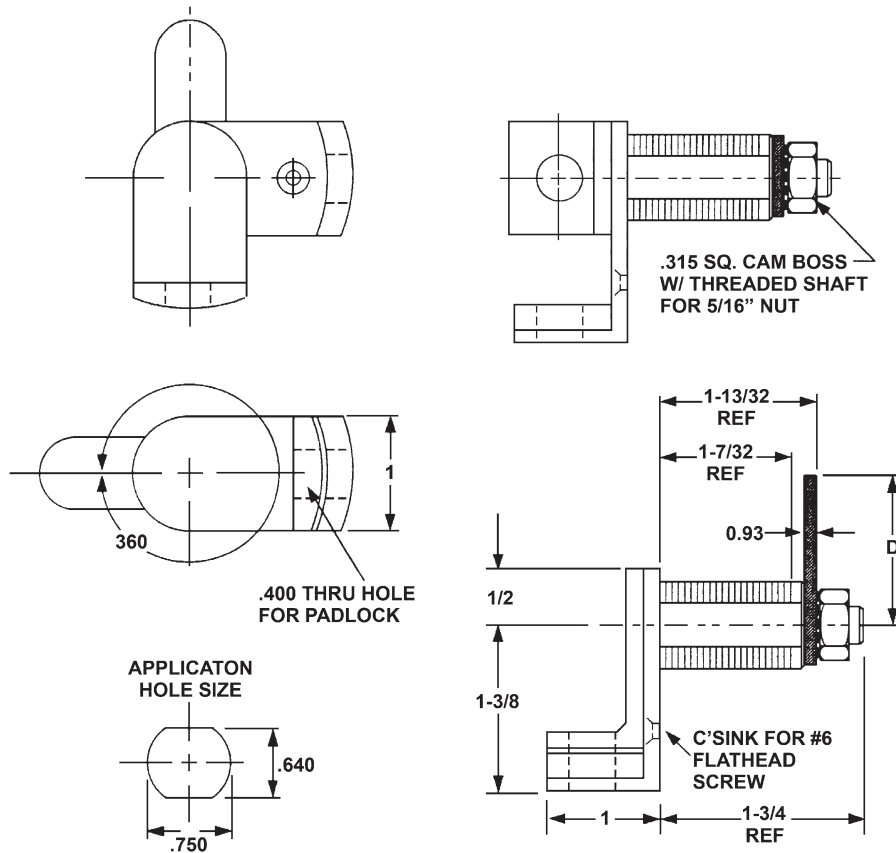


DCP-LC
1-1/4" cam ships standard with each lock.

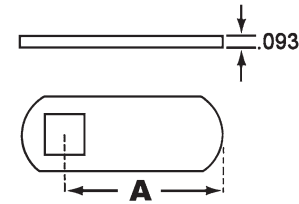


DCP-LC
1-1/4" cam ships standard with each lock.

Dimensions



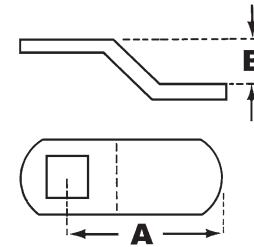
Optional Cams



Straight Cams

Part No.	Dim. A
DCP-58	5/8"
DCP-SC	7/8"
DCP-LC**	1-1/4"
DCP-LC-112	1-1/2"
DCP-LC-134	1-3/4"
DCP-LC-225	2-1/4"
DCP-LC-250	2-1/2"

The **DCP-LC 1-1/4" cam ships standard with each lock

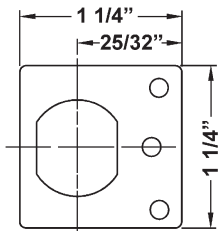


Offset Cams

Part No.	Dim. A	Dim. B
DCP-1-14	1"	1/4"
DCP-LBC	1-1/4"	1/4"
DCP-118-18	1-1/8"	1/8"
DCP-LBC-138	1-3/8"	3/8"
DCP-LBC-178	1-7/8"	1/2"
DCP-112-14	1-1/2"	1/4"
DCP-114-18	1-1/4"	1/8"
DCP-114-38	1-1/4"	3/8"
DCP-118-18	1-1/8"	1/8"
DCP-1-14	1"	1/4"
DCP-2-18	2"	1/8"

Below items are available separately

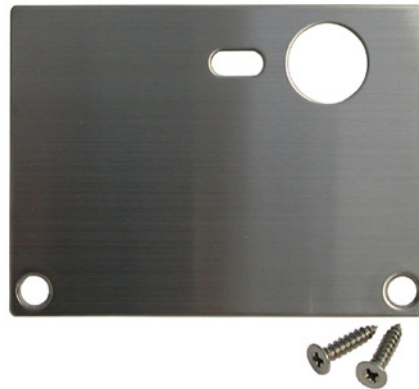
DCNP-500-ARP
Anti-rotation plate



Install on inside of cabinet.

DCP BUMPER PLATES
Protects cabinet face from padlock and keys.

DCP-SP2
Left-hand



DCP-SP2
Left-hand

