

329R

N Series: Sliding Door Showcase/Ratchet Lock

"The industry's first easily rekeyable, small pin tumbler showcase/ratchet lock."

SPECIFICATIONS

Keying: Can be keyed together with other N Series locks

Rekeyable: Easily rekeyable via speed-release cylinder release mechanism

Retrofits: CompX/National C8140

US Patent No: 5,121,619

Standard function: Key removable in locked or unlocked position.

Body: Zinc die cast

Cylinder: Solid brass, pin tumbler

Strap: Nylon coated strap fits 1/4" material

Finish: US26D

Packaged: Packed 10 per box

KEYING INFORMATION

Keyway: N Series (equivalent to National D4291 4-pin or D4292 5-pin system)

Keys: Includes 2 keys per lock

Stock keying: KD/KA - 4 pin standard

Stock KA#: 101, 103, 107, 915

Masterkeyed: 5 pin standard

Grand masterkeyed: Available

Keyblank 4-pin: KBN-4-NP

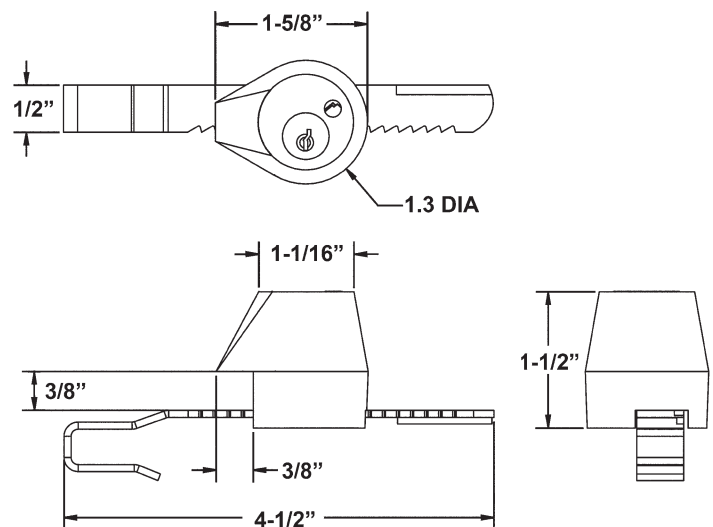
(equivalent to NA14, 1069L)

Keyblank 5-pin: KBN-5-NP

(equivalent to NA12, 1069LA)

INCLUDED ACCESSORIES

329RS-1C Nylon coated strap to fit 1/4" material thickness



Includes nylon coated strap #329RS-1C

WARNING: This product can expose you to chemicals including chromium, which is known to the State of California to cause cancer and birth defects or other reproductive harm. For more information go to www.P65Warnings.ca.gov.