

429R

R Series: Sliding Door Showcase/Ratchet Lock

"The industry's first easily rekeyable, small pin tumbler showcase/ratchet lock."

SPECIFICATIONS

Keying: Can be keyed together with other R Series locks

Rekeyable: Easily rekeyable via speed-release cylinder release mechanism

US Patent No: 5,121,619

Body: Zinc die cast

Cylinder: Solid brass, pin tumbler

Strap: Nylon coated strap fits 1/4" material

Finish: 26D

Packaged: Packed 10 per box

KEYING INFORMATION

Keyway: R Series (equivalent to CCL R1 system)

Stock keying: KD/KA - 5 pin standard

Stock KA#: 4T21579, 4T37526

Masterkeyed: 5 pin standard

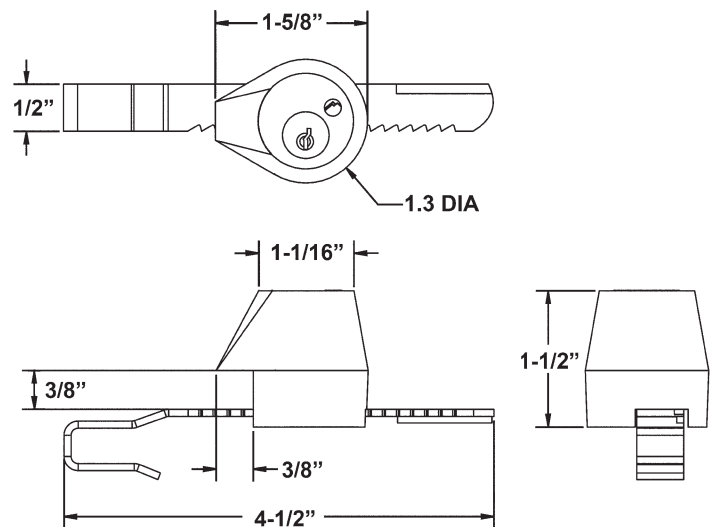
Grand masterkeyed: Available

Keyblank 5-pin: KBR-5-NP

(equivalent to CO106, 1003A)

INCLUDED ACCESSORIES

329RS-1C Nylon coated strap to fit 1/4" material thickness



Includes nylon coated strap #329RS-1C



WARNING: This product can expose you to chemicals including chromium, which is known to the State of California to cause cancer and birth defects or other reproductive harm. For more information go to www.P65Warnings.ca.gov.