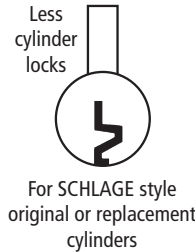


700LC | 800LC

LC Series: Less Cylinder Deadbolt Door & Drawer Cabinet Locks



ANSI/BHMA Grade 1
E07121 | E07041
Woodwork Institute (WI)
acknowledged product

SPECIFICATIONS

- Keying:** Can be keyed together with other Schlage C Keyway locks
- Rekeyable:** Easily rekeyable via set screw cylinder release mechanism
- ANSI/BHMA:** Passed ANSI/BHMA A156.11 Grade 1 performance requirements. Equivalent to E07121 (700S) / E07041 (800S).
- US Patent Nos:** 4,899,563; 4,920,774
- Standard function:** Key removable in locked or unlocked position. Standard function locks are non-handed.
- Key-retaining:** Key removable in locked position only. Specify handing (KL/KR for doors or KI/KV for drawers) when ordering.
- Body:** Zinc die cast
- Cylinder:** Will accept other manufacturer's Schlage compatible key-in-knob cylinders
- Cylinder length:** 1-1/8" or 1-3/8"
- Barrel diameter:** 1-1/8"
- Finish:** 26D, US3, 10B
- Packaged:** Packed 10 per box

CYLINDER INFORMATION

- Cylinder:** Not included
- Includes:** All parts necessary to work with other manufacturers cylinders
- ILCO cylinder:** #1599 (various keyways available)
- Assa cylinder:** Assa part-number #65611 (Requires 1-3/8" lock body)
- Medeco cylinders:** Requires LCM (1-3/8") locks
 - Original: 6 pin #20-009S4
 - 5 pin #20-008S4
 - Biaxial: 6 pin #20W009S4
 - 5 pin #20W008S4
 - Keymark: 6 pin #20K009S4
 - Key retaining cylinder: #20W200S1
- Compatible electronic cylinders:** Medeco LOGIC, ASSA CLIQ or VIDEX CyberLock key-in-knob cylinders

INCLUDED ACCESSORIES

- For 1-1/8" barrel length locks:**
 - 10-350 plastic spacers (qty 2)
 - 10-054 1/4" plastic bar strike
 - 10-055 1/2" plastic bar strike
- For 1-3/8" barrel length locks:**
 - 10-054 1/4" plastic bar strike

OPTIONAL ACCESSORIES

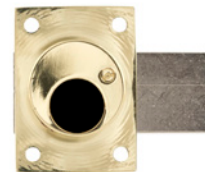
- Spacers:** 10-348 (1/4" thick), 10-349 (1/2" thick), 10-350 (1/8" thick)
- Strikes:** 10-052, 10-056, 10-057, 10-058, 12-2, 12-3, 12-4
- Trim collar:** TR78
- Through-bolt hardware:** ETS1 through-bolt plate, ETS1-PL trim pull and ETST1 template

700LC

Function: Cabinet door lock
ANSI/BHMA No.: E07121



US26D finish



US3 finish



US10B finish

800LC

Function: Drawer lock
ANSI/BHMA No.: E07041



US26D finish

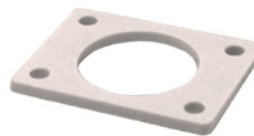


US3 finish



US10B finish

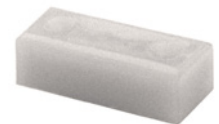
INCLUDED ACCESSORIES



10-350 internal spacers
 For a flush fit on varying material thicknesses



10-054 bar strike
 1/4" plastic bar strike



10-055 bar strike
 1/2" plastic bar strike

WARNING: This product can expose you to chemicals including chromium, which is known to the State of California to cause cancer and birth defects or other reproductive harm. For more information go to www.P65Warnings.ca.gov.



700LC | 800LC

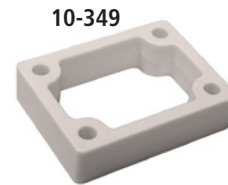
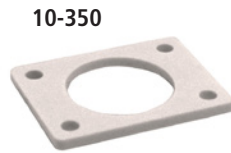
ANSI/BHMA Grade 1
E07121 | E07041

LC Series: Less Cylinder Deadbolt Door & Drawer Cabinet Locks

OPTIONAL ACCESSORIES - See our website for a complete list of optional components.

Internal Plastic Spacers

- 10-350 1/8" thick plastic spacers
- 10-348 1/4" thick plastic spacers
- 10-349 1/2" thick plastic spacers



Strikes

- Plastic bar strikes: 10-054, 10-055, 10-057, 10-058. Metal strikes: 10-052, 10-056 12-1, 12-2, 12-3, 12-4

Trim Ring

- TR78 trim ring

Through-Bolt Mounting Plate

External metal 1/8" or 1/4" through-bolt plate allows for secure and attractive flush mounting of the cabinet lock face. Available in US3 or US26D finish.

- ETS1-125 through-bolt plate, 1/8" thick
- ETS1-250 through-bolt plate, 1/4" thick

ETS1
Through-bolt plate

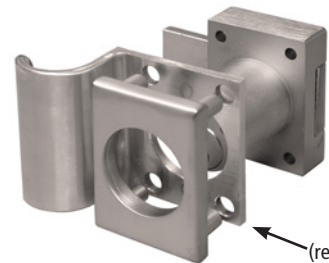


ETST1
Through-bolt plate
template



U.S. Patent No. D490,686

ETS1-PL
Through-bolt pull



ETS1-PL
(requires use of
ETS1)

Through-Bolt Mounting Plate Template

Allows for proper mounting hole placement of through-bolt plate. Can be used as a 1/8" shim spacer. Available in US3 and US26D finish.

- ETST2 through-bolt plate template

78-KABA-CONV Kaba Conversion Kit

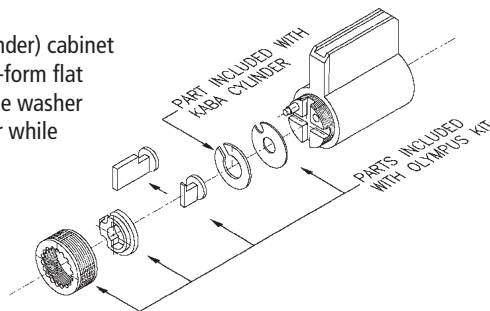
For use with Olympus 700LC and 800LC (less cylinder) cabinet locks. The conversion kit requires the use of the C-form flat washer supplied with the KABA-Peaks cylinder. The washer is needed to keep the Olympus tailpiece on center while operating the lock.

Use with the following cylinders

KABA-Peaks universal cylinder

#3400-XX-1099 (where "XX" denotes finish)

Mul-T-Lock cylinders



78-201 Series

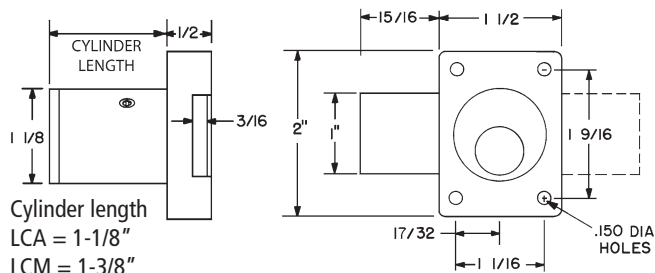
Schlage C keyway cylinders



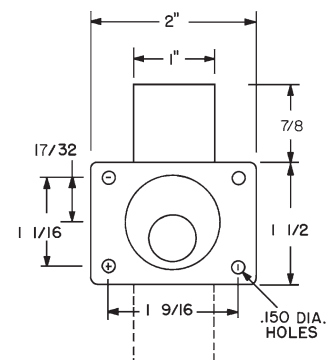
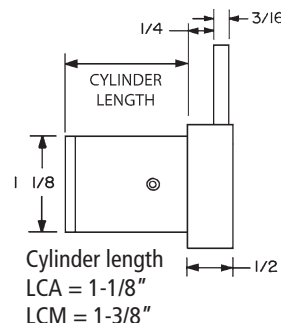
SCHLAGE
style C keyway
replacement
cylinder

DIMENSIONS

700LC Cabinet Door Lock



800LC Drawer Lock



*Key-retaining handing: (See website for key-retaining handing chart)