

# 720LM/DM

**SFIC: Cam Lock**  
 For Small Format  
 Interchangeable Core



For BEST style interchangeable core cylinders

**ANSI/BHMA Grade 1**  
**E07261 | E07271**  
**Woodwork Institute (WI)**  
**acknowledged product**

## GENERAL SPECIFICATIONS

**Function:** Cam lock  
**Retrofits:** Best 1E7E4  
**ANSI/BHMA:** Passed ANSI/BHMA A156.11 Grade 1 performance requirements. Equivalent to E07261/ E07271.  
**Cylinder diameter:** 1-1/8"  
**Across flats:** 7/8"  
**Max. material thickness:** 1-1/8"  
**Min. material thickness:** 0.08"  
**Functions:** Includes parts for key-retaining or non-key-retaining function.  
**Cam installation:** See our website for cam assembly instructions.

**Body:** Zinc die cast  
**Finish:** 26D, US26, US3 or US4  
**Packaged:** Packed 10 per box

## KEYING INFORMATION

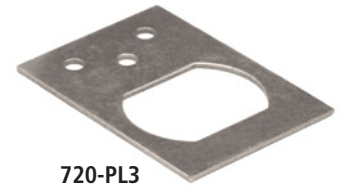
**Cores:** Not included.  
**Accepts:** Best, Arrow, Falcon, KSP, Schlage SFIC or equivalent small format interchangeable cores  
**Compatible electronic cylinders:** Medeco Nexgen XT or VIDEX CyberLock SFIC cylinders

## INCLUDES

- 725-PA plastic thumbturn
- 720-PL3 stabilizer plate
- 725-1 spacer to fit 6 or 7 pin cores
- 720-3-1 short inverted cam
- 720-3-2 long vertical cam
- 720-CDLM lost motion cam shifter
- 720-CDDM key retaining door cam shifter
- 720-KR key retaining drawer cam shifter

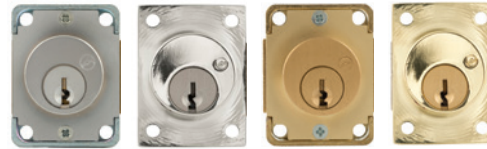


US26D finish



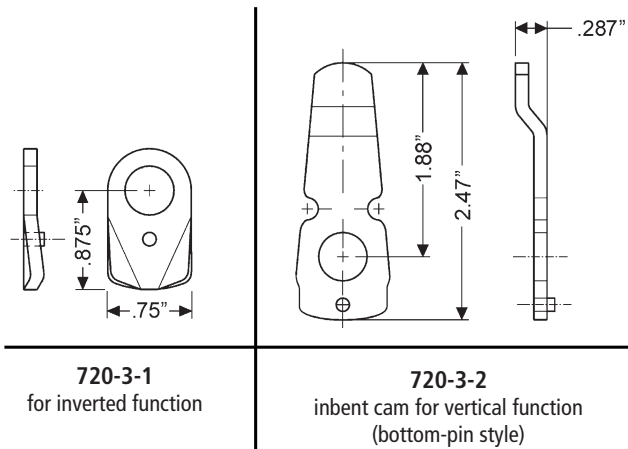
720-PL3  
 Anti-rotation plate included

## AVAILABLE FINISHES



US26D    US26    US4    US3

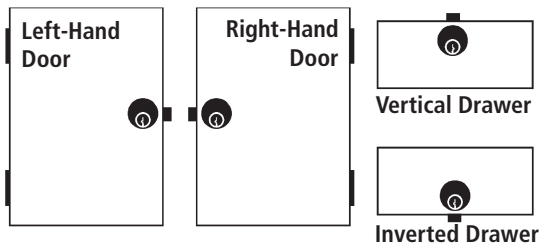
## INCLUDED CAMS



720-3-1  
 for inverted function

720-3-2  
 inbent cam for vertical function  
 (bottom-pin style)

## HANDING CHART



**WARNING:** This product can expose you to chemicals including chromium, which is known to the State of California to cause cancer and birth defects or other reproductive harm. For more information go to [www.P65Warnings.ca.gov](http://www.P65Warnings.ca.gov).



# 720LM/DM

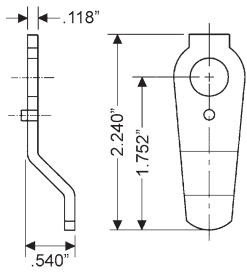
**SFIC: Cam Lock**  
For Small Format  
Interchangeable Core

**ANSI/BHMA Grade 1**  
**E07261 | E07271**

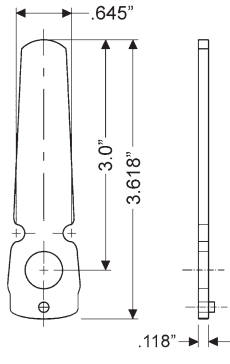
**Woodwork Institute (WI)**  
**acknowledged product**

**OPTIONAL ACCESSORIES-** See our website for a complete list of optional components.

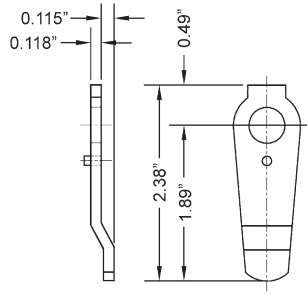
## Optional Cams



**720-3-3**  
inbent cam for  
inverted function



**720-3-4**  
3" straight cam for vertical  
function



**720-3-5**  
inbent cam for  
inverted function

## CL-MP-118 Double-D Metal Punch

Hole size: Punches a DOUBLE "D" hole size  
approximately 7/8" wide by 1-1/8" high.



## TR200 Series Trim Collars



**TR201**  
1/8"



**TR202**  
1/4"



**TR203**  
3/8"



**TR204**  
5/32"

## 206/207 Series SFIC Cylinders

Best compatible 6 and 7 pin small format interchangeable core cylinders



BEST compatible  
interchangeable  
core cylinders



A	B	C	D	E	F	G	H	
J	K	L	M	Q	1C	1D	KMT300	

## DIMENSIONS

### MOUNTING CUTOUT

