

920LM/DM

IC: Cam Lock for Schlage Full-Size Cores



For SCHLAGE full-size interchangeable core cylinders

**ANSI/BHMA Grade 1
E07261 | E07271**
**Woodwork Institute (WI)
acknowledged product**

SPECIFICATIONS

ANSI/BHMA: Passed ANSI/BHMA A156.11 Grade 1 performance requirements. Equivalent to E07261/E07271.

Cylinder diameter: 1-1/8"

Across flats: 7/8"

Max. material thickness: 1-3/16"

Min. material thickness: 0.08"

Functions: Includes parts for key-retaining or non-key-retaining function

Body: Zinc die cast

Finish: 26D or US3

Packaged: 10 per box

CYLINDER INFORMATION

Cylinder: Not included

Accepts: Schlage large format/full-size IC cylinders

- Schlage Quad, Numbered Section, and Schlage Classic IC cores
- Schlage Primus® and Everest large format IC cores
- Mul-T-Lock large format IC cores

Compatible electronic cylinders: VIDEX CyberLock LFIC cylinders

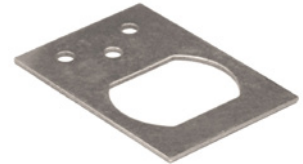
INCLUDED ACCESSORIES

- 7788-PA-D actuator to operate lock without core
- 720-PL3 anti-rotation plate
- 720-3-1 short inverted cam
- 720-3-2 long vertical cam
- 720-CDLM lost motion cam shifter
- 720-CDDM key retaining door cam shifter
- 720-KR key retaining drawer cam shifter

OPTIONAL ACCESSORIES

- Optional cams:** 7-3-2, 7-3-3, 7-3-4, 7-3-5
- Trim collars:** TR200 Series
- Switch accessory pack:** SW-1
- CL-MP-118:** Double-D metal punch

ANSI/BHMA No.
E07261 / E07271



720-PL3
Anti-rotation plate included

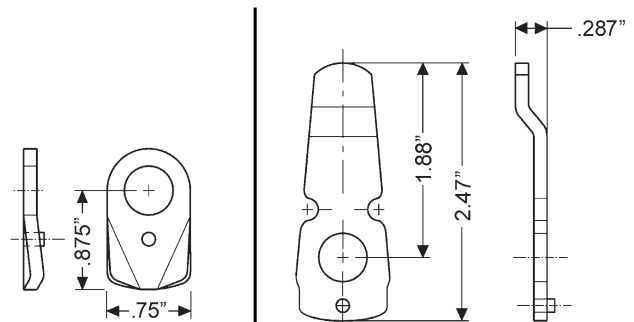
AVAILABLE FINISHES



US26D

US3

INCLUDED CAMS



720-3-1
for inverted function

720-3-2
inbent cam for vertical function
(bottom-pin style)



WARNING: This product can expose you to chemicals including chromium, which is known to the State of California to cause cancer and birth defects or other reproductive harm. For more information go to www.P65Warnings.ca.gov.



**OLYMPUS[®]
LOCK
INC**

920LM/DM

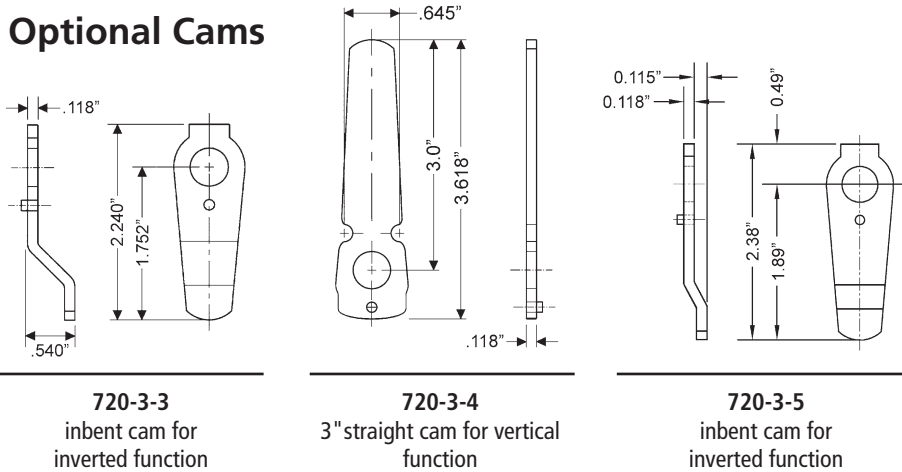
IC: Cam Lock for Schlage
Full-Size Cores

ANSI/BHMA Grade 1
E07261 | E07271

Woodwork Institute (WI)
acknowledged product

OPTIONAL ACCESSORIES - See our website for a complete list of optional components.

Optional Cams



CL-MP-118 Double-D Metal Punch

Hole size: Punches a DOUBLE "D" hole size approximately 7/8" wide by 1-1/8" high.



TR200 Series Trim Collars

Finish: TR201, TR202 and TR203 available in US32D or US3 finish. TR204* available in US32D finish only.



DIMENSIONS

