

EC SERIES

Elbow Catch

SPECIFICATIONS

Base material: Solid Brass

Function: To secure one door to the cabinet in double door applications. Allows for door to lock shut when pushed. Requires releasing hook to open the door.

Latch: Spring loaded

Spring: 316 stainless steel material

Non-handed: Can be used on right-hand or left-hand doors.

Testing: Meets ANSI/BHMA A156.9 B33023.

Finish: US26D (satin chrome)

PACKAGING

EC-1-26D: Packed bulk. Catch and strike packaged separately. Does not include screws.

EC-2-26D: Packed individually. Catch and strike packaged individually with three screws.

EC-1-26D

Packed bulk. Catch and strike packaged separately. Does not include screws.

EC-2-26D

Packed individually. Catch and strike packaged individually with three screws.



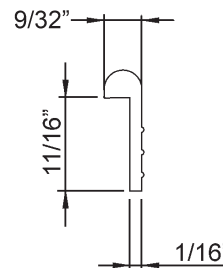
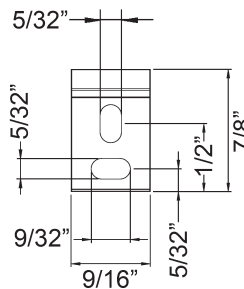
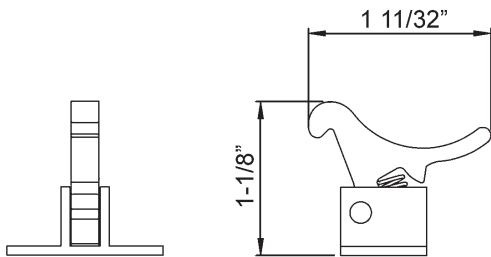
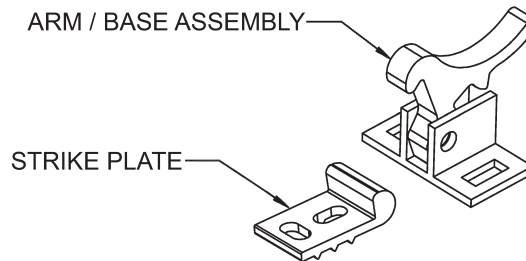
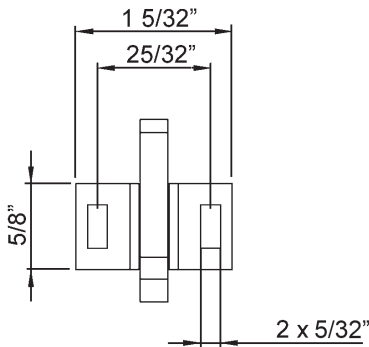
Meets ANSI/BHMA
A156.9 B33023

Woodwork Institute
(WI) acknowledged
product

FUNCTION: Used to secure one cabinet door from the inside. The opposite door uses a cabinet lock to then lock against the secured door or into the top or bottom rail of the cabinet.

EC-TEM

Installation template. Allows for quick and accurate placement of screw holes for easy installation.



WARNING: This product can expose you to chemicals including chromium, which is known to the State of California to cause cancer and birth defects or other reproductive harm. For more information go to www.P65Warnings.ca.gov.



OLYMPUS[®]
LOCK
INC