

PN50 SERIES

*N Series Brass Padlocks
National Keyway*



SPECIFICATIONS

Keying: Can be keyed together with other N Series locks

Body: Extruded brass

Locking: Steel ball bearing heel and toe

Body width: 2" (50 mm)

Body height: 1-7/8" (47 mm)

Shackle diameter: 3/8"

Shackle: Hardened molybdenum steel

Finish: BHMA 606 Satin Brass (US4)

Shackle opening: PN50 = 1-1/16"
PN50LS = 2"

KEYING INFORMATION

Keyway: N Series (equivalent to National D4291 4-pin or D4292 5-pin system)

Keys: Includes 2 keys per lock

Stock keying: KD/KA - 4 pin standard

Stock KA#: 101, 103, 107, 915

Masterkeyed: 5 pin standard

Grand masterkeyed: Available

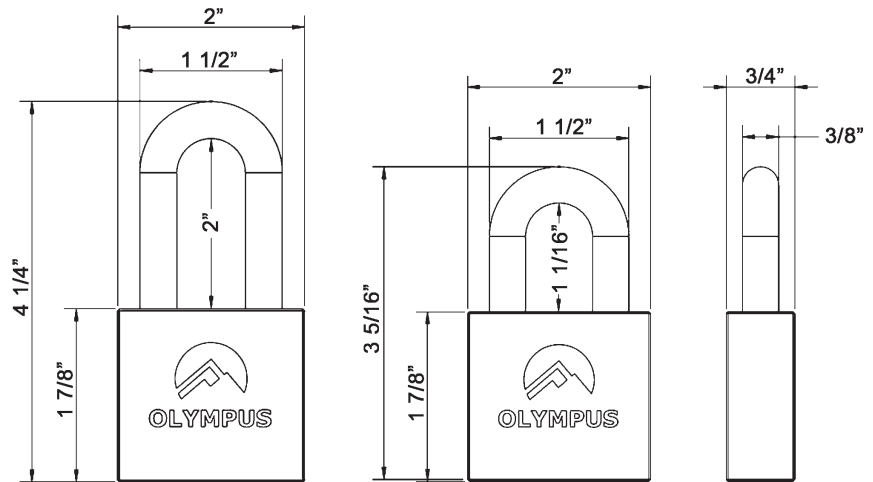
Keyblank 4-pin: KBN-4-NP
(equivalent to NA14, 1069L)

Keyblank 5-pin: KBN-5-NP
(equivalent to NA12, 1069LA)



PN50LS
long shackle

PN50
regular shackle



PN50LS
long shackle

PN50
regular shackle

Regular Shackle

Part #	Description
PN50-KD	Keyed different
PN50-101	Keyed alike #101
PN50-103	Keyed alike #103
PN50-107	Keyed alike #107
PN50-915	Keyed alike #915
PN50-CUST	Custom keyed

Long Shackle

Part #	Description
PN50LS-KD	Keyed different
PN50LS-101	Keyed alike #101
PN50LS-103	Keyed alike #103
PN50LS-107	Keyed alike #107
PN50LS-915	Keyed alike #915
PN50LS-CUST	Custom keyed

WARNING: This product can expose you to chemicals including chromium, which is known to the State of California to cause cancer and birth defects or other reproductive harm. For more information go to www.P65Warnings.ca.gov.

